

(No Model.)

W. B. VAN HUTTON.
FOLDING PACKING CASE.

No. 274,418.

Patented Mar. 20, 1883.

Fig. 1.

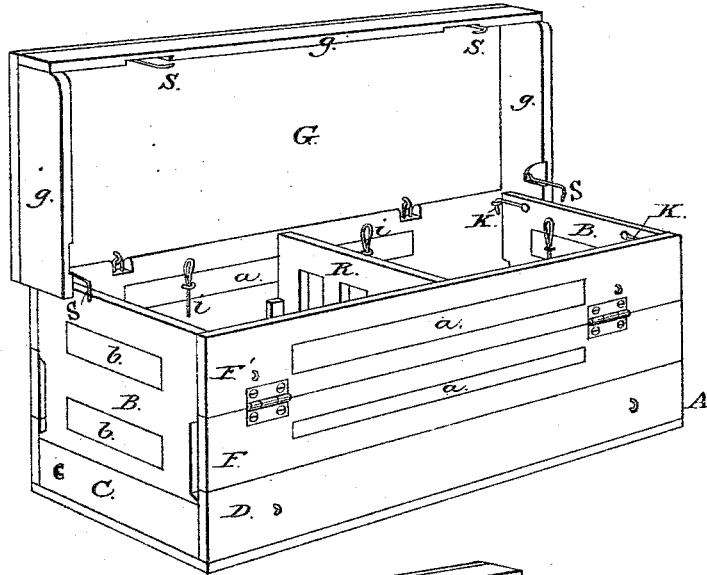


Fig. 2.

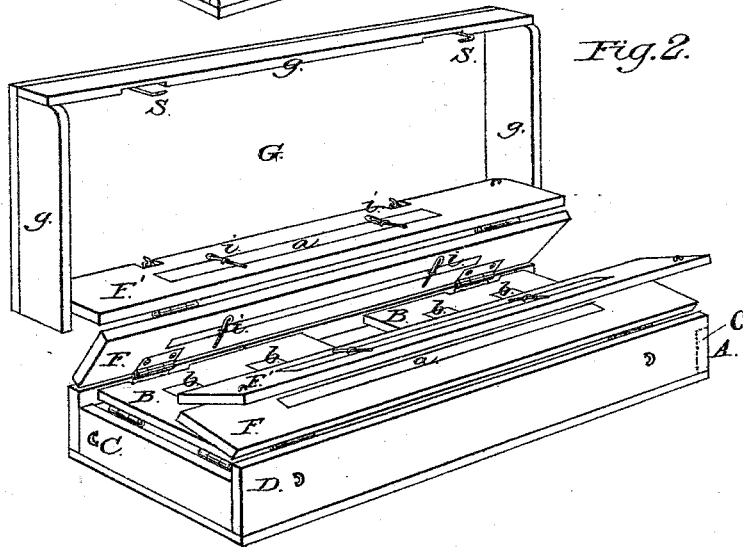
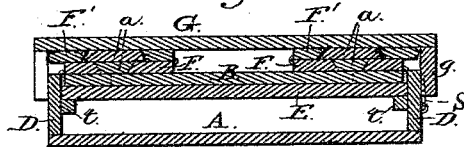


Fig. 3.



Witnesses:

John A. Ellis
J. H. Kuyper

Inventor:

William B. Van Hutton
By David A. Burr
Attorney.

UNITED STATES PATENT OFFICE.

WILLIAM B. VAN HUTTON, OF BRENHAM, TEXAS, ASSIGNOR OF ONE-FOURTH TO JACOB NEW, OF SAME PLACE.

FOLDING PACKING-CASE.

SPECIFICATION forming part of Letters Patent No. 274,418, dated March 20, 1883.

Application filed October 27, 1882. (No model.)

To all whom it may concern:

Be it known that I, WILLIAM B. VAN HUTTON, of Brenham, in the county of Washington and State of Texas, have invented a new and useful Improvement in Folding Packing-Cases; and I do hereby declare that the following is a full and exact description thereof, reference being had to the accompanying drawings, and to the letters of reference marked thereon, making a part of this specification.

My invention relates to the construction of a portable packing-case which will admit of being folded into a very small compass when not in use, and which, when opened and made ready for use, shall be strong, capacious, and adapted for the transportation either of fruit, eggs, &c., requiring light and air, or for the packing of more solid goods.

It consists in the construction of a folding packing-case with a bottom tray adapted to receive the inner detachable partitions of the case when it is folded up for transportation, and with a lid formed with flanges adapted to overlap and inclose and thus protect the edges of the sides and ends of the case and tray when folded down, so that it will the more securely withstand rough handling in shipment, and in providing ventilating-apertures in the sides of the case, to be left open or closed at pleasure, as may be required, in view of the nature of its contents.

In the accompanying drawings, Figure 1 is a view in perspective of my improved folding packing-case when opened out and made ready for the reception of goods. Fig. 2 is a similar view illustrating the case when partly folded, and Fig. 3 is a central transverse section of the case when completely folded down into its most compact form.

The bottom of the case is made in the form of a shallow tray, A, Fig. 3, of a length and width adapted to the proportions of the complete case. The two ends B B are hinged to the upper edges of the ends C C of the bottom A, so as to fold down inward, the side pieces, D D, of the bottom being made so much higher than its end pieces, C C, as that the ends B B, when folded down, shall not project above said side pieces.

A false bottom, E, Fig. 3, may be inserted to rest upon cleats *t t*, secured to the inner face

of the side pieces, D D, so that the upper surface of the false bottom shall be about flush with the lower face of the ends C C when folded inward. This false bottom becomes useful as a cover for the compartment beneath it in packing small articles therein, and also for use in packing eggs, &c. The false bottom may be solid or of open-work.

The folding ends B B are made each in one piece; but the sides of the case, hinged to the side pieces, D D, of the bottom A, are divided longitudinally in two pieces, F F', of which the upper one, F, is slightly wider than the lower one, F', and which are hinged together, so that the upper one may fold outwardly when the lower one is folded inward, as is illustrated in the transverse section, Fig. 3.

The inner edge of the lid or cover G for the case is hinged to the outer edge of the upper division, F, of the rear side of the case, and is fitted with flanges *g g*, projecting from its end and outer edge, so that when the case is set up, as in Fig. 1, the cover shall properly close over the top of the case and the flange overlap its three sides. When the case is to be set up the front and rear sides are first thrown up; then the ends, which, entering between the sides, serve to brace and support them, and which are secured to the sides by corner hooks, K K, Fig. 1.

The solid tray constituting the bottom of the case, in connection with the arrangement of hinges which are adapted to brace and support the hinged joints, the interposition of the ends between the sides, the corner hooks by which the sides and ends are fastened together, and the overlapping flanges of the lid, all combine to make a strong, solid case, capable of resisting hard usage, while the peculiar and novel manner of folding down the sides and ends, as shown in Fig. 3, enables the case to be reduced to the smallest possible compass for storage or transportation when not in use.

Ventilation is secured, when the case is to be filled with fruit, eggs, &c., by means of beveled apertures formed in the sides and ends, which are closed by means of beveled strips *a a b b*, fitting accurately therein, and which are secured, when inserted in place to close the apertures, by means of simple pins *i i*, each passing through an eye on the inner side of

the strip and extending far enough in each direction to lap the joint of the strip, as shown in Figs. 1 and 2.

The case admits of division into vertical as well as horizontal compartments by means of one or more partitions, R, (see Fig. 1,) which, when the case is folded, may be placed in the tray, beneath the horizontal partition, or be carried, instead thereof, upon the cleats which otherwise support it.

The lid of the case may be readily fastened or locked, either when the case is folded down, Fig. 3, or when it is set up, Fig. 1, by means of hooks S S, or by any desirable form of lock.

I claim as my invention—

1. The combination, in a folding packing-case constructed, substantially as herein described, with end pieces, B B; folding inward, side pieces, F F', adapted to lap the end pieces when raised, and to double up and fold inward thereon when dropped, and detachable partitions R, serving to divide the case into compartments when it is set up, of a tray adapted

to constitute the bottom of the case, and to serve as a receptacle for said partitions when the case is folded up, and a lid, G, hinged to the upper outer edge of the upper side piece, F, on one side, and formed with flanges E E, serving to overlap, inclose, and protect the edges of the case and tray when folded.

2. The combination, with the hinged end pieces, B B, and double-hinged folding side pieces, F F', in a folding packing-case constructed substantially as herein described, of beveled-edge ventilating-apertures in said ends and sides, closed by detachable beveled strips *a b*, secured, when inserted, by inner pins, *i i*, lapping the joints of the strip, substantially as and for the purpose set forth.

In testimony whereof I have signed my name to this specification in the presence of two subscribing witnesses.

WILLIAM B. VAN HUTTON.

Witnesses:

PAUL FRICKE,
SAM SCHLENKER.